



# SUN-3.6/5K

L'inverter ibrido Sunerg dispone di taglie di potenza 3.6/5 KW si adatta ad ogni tipo di ambiente ed installazione



Max. Efficiency  
97.6%



2 MPPT



IP65  
Ingress Protection



AC Coupled

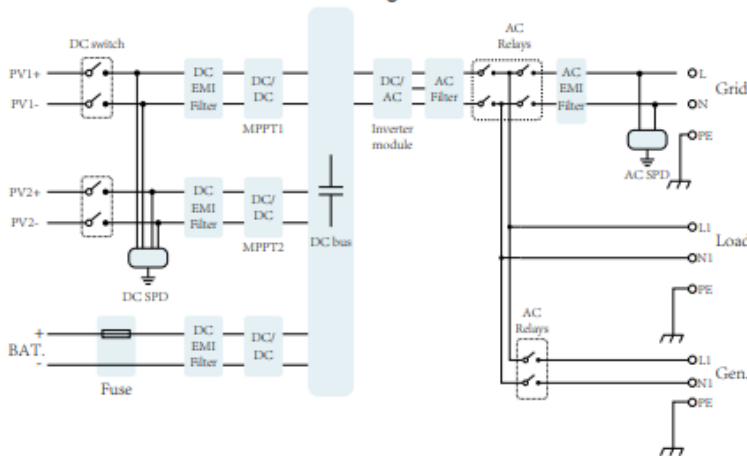


Support Multiple  
Parallel

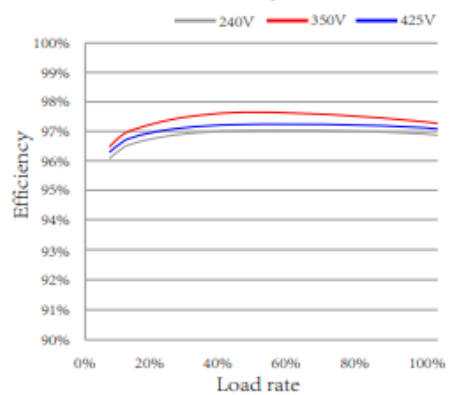


Internal SPD

Circuit block diagram



Efficiency curve



**CORRESPOND TO**

IEC 61215 | EN 61730 | UNI 9177 | PV CYCLE | CE |

UNI EN ISO 9001:2008 | Quality management system  
 UNI EN ISO 14001:2004 | Standards for environmental management system  
 UNI EN BS OHSAS 18001:2007 | International standards for occupational health and safety



## TYPE DESIGNATION

Battery Input Sata	SUN-3.6K-SG01	SUN-5K-SG02
Battery Type	Lead-acid or Lithium-ion	
Battery voltage range (V)	40 ~ 60V	
Max. charging current	90 A	120 A
Max. discharging current	90 A	120 A
Charging curve	3 Stages / Equalization	
External temperature sensor	Optional	
Charging strategy for Li-Ion battery	Self-adaption to MBS	
<b>PV String Input Data</b>		
Max. DC Input Power (W)	4680 W	6500 W
PV Input Voltage (V)	370 V (100V ~ 500V)	
MPPT Range (V)	125 ~ 425V	
Full Load DC Voltage Range	240 ~ 425v	
Start-up Voltage (V)	150V	
PV Input Current (A)	11A + 11A	
No. of MPPT Trackers	2	
No. of Strings Per MPPT Tracker	1+1	
<b>AC Output Data</b>		
Rated AC output and UPS power (W)	3600W	5000W
Max. AC output power (W)	3960W	5500W
Peak Power (off grid)	2 times of rated power, 10 S	
AC Output Rated Current (A)	15.7A	21.7A
Max. AC Current (A)	18A	25A
Max Continuous AC Passthrough (A)	35A	
Power Factor	0.8 leading to 0.8 lagging	
Output Frequency and Voltage	50/60Hz; 220/230/240Vac (single phase)	
Grid Type	Single Phase	
Current Harmonic Distortion	THD <3% (Linear load <1.5%)	
<b>Efficiency</b>		
Max. efficiency	97.60%	
Euro efficiency	96.50%	
MPPT Efficiency	99.90%	
<b>Protection</b>		
PV Input Lightning Protection	Integrated	
Anti-islanding Protection	Integrated	
PV String Input Reverse Polarity Protection	Integrated	
Insulation Resistor Detection	Integrated	
Residual Current Monitoring Unit	Integrated	
Output Over Current Protection	Integrated	
Output Shorted Protection	Integrated	
Output Over Voltage Protection	Integrated	
<b>General Data</b>		
Dimensions (W*H*D)	580x330x208 mm	
Weight	20.5 kg	
Degree of protection	IP65	
Operating temperature range	-25 ~60°C, >45°C derating	
Cooling	Fan	
Communication with BMS	RS485;CAN	
Installation Style	Wall-mounted	
Warranty	5	
Grid Regulationm	VDE 0126,AS4777,NRS2017,G98,G99,IEC61683,IEC62116,IEC61727	
SafetyRegulationm	IEC62109-1, IEC62109-2	
EMC	EN61000-6-1, EN61000-6-3	